

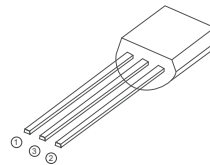
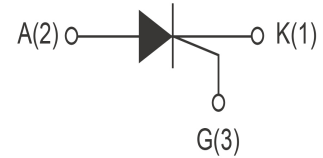
## Sensitive Gate SCRS

### FEATURES

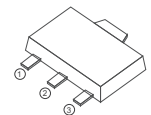
- > IT(RMS):0.8A
- > VGT: 0.8V
- > VDRM VRRM:400Vand600V

### APPLICATIONS

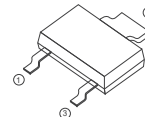
Washing machine,vacuums, massager,solid state relay ,  
AC Motor speed regulation and so on.



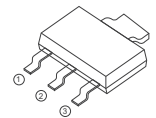
TO-92



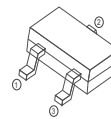
SOT-89



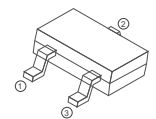
SOT-89-2L



SOT-223



SOT-23



SOT-23-3L

### Absolute Maximum Ratings (Tj=25°C unless otherwise specified)

Symbol	Parameter	Conditions	Ratings	Unit
VDRM VRRM	Repetitive Peak Off-State Voltage	MCR100-6 MCR100-8	600/800	V
IT(AV)	Average On-State Current		0.7	A
IT(RMS)	R.M.S On-State Current		1	A
ITSM	Surge On-State Current	F=50Hz Tp=10ms	11	A
I²t	I²t for fusing	Tp=10ms	0.45	A²s
PG(AV)	Average Gate Power Dissipation	Tj=125°C	0.1	W
PGM	Peak Gate Power Dissipation	tp=20us Tj=125°C	0.5	W
Tj	Operating Junction Temperature		~40~125	°C
TSTG	Storage Temperature		~40~150	°C

**Electrical Characteristics** ( $T_J=25^{\circ}\text{C}$  unless otherwise specified)

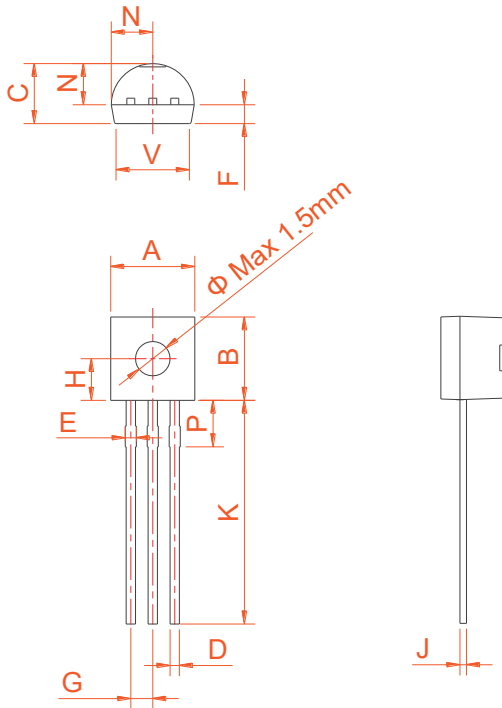
Symbol	Parameter	Test Conditions	Value	Unit
IDRM	Repetitive Peak Off-State Current	$T_c=25^{\circ}\text{C}$	$\leq 5$	$\mu\text{A}$
		$T_c=110^{\circ}\text{C}$	$\leq 100$	$\mu\text{A}$
IRRM	Repetitive Peak Reverse Current	$T_c=25^{\circ}\text{C}$	$\leq 5$	$\mu\text{A}$
		$T_c=110^{\circ}\text{C}$	$\leq 100$	$\mu\text{A}$
VTM	Forward "on" voltage	$I_T=1.2\text{A}$ $t_p=380\mu\text{s}$	$\leq 1.7$	V
VGD	Gate non-trigger voltage	$V_D=V_{DRM}$ , $T_J=110^{\circ}\text{C}$ , $R_{GK}=1\text{k}\Omega$ , $R_L=3.3\text{k}\Omega$	$\geq 0.1$	V
VGT	Gate trigger voltage	$V_D=12\text{V}$ , $I_T=0.1\text{A}$	$\leq 0.8$	V
IH	Holding current	$I_T=50\text{mA}$	$\leq 4$	mA
IL	Latching current	$I_G=1.2$ IGT	$\leq 6$	mA
IGT	Gate trigger current	$V_D=12\text{V}$ , $I_T=0.1\text{A}$	$\leq 200$	$\mu\text{A}$
dv/dt	Critical-rate of rise of commutation voltage	$T_J=110^{\circ}\text{C}$ , $V_D=2/3V_{DRM}$ , $R_{GK}=1\text{k}\Omega$	$\geq 10$	V/ $\mu\text{s}$

**THERMAL RESISTANCES**

Symbol	Parameter	Value	Unit
$R_{th(j-c)}$	junction to case	TO-92/ SOT-23/ SOT-23-3L	75
		SOT-89 SOT-89-2L	45
		SOT-223	31



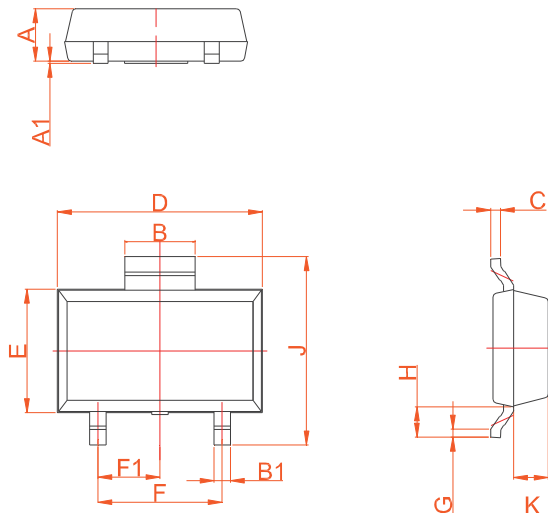
## PACKAGE MECHANICAL DATA



TO-92

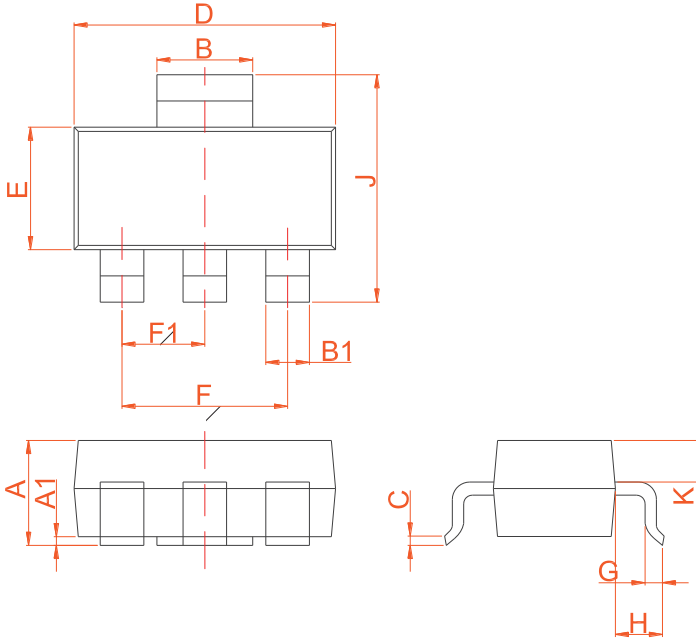
Ref.	Dimensions					
	Millimeters			Inches		
	Min.	Typ.	Max.	Min.	Typ.	Max.
A	4.45		5.20	0.175		0.205
B	4.32		5.33	0.170		0.210
C	3.18		4.19	0.125		0.165
D	0.407		0.533	0.016		0.021
E	0.60		0.80	0.024		0.031
F	-	1.1	-	-	0.043	-
G	-	1.27	-	-	0.050	-
H	-	2.30	-	-	0.091	-
J	0.36		0.50	0.014		0.020
K	12.70		15.0	0.500		0.591
N	2.04		2.66	0.080		0.105
P	1.86		2.06	0.073		0.081
V	-		4.3	-		0.169

Ref.	Dimensions					
	Millimeters			Inches		
	Min.	Typ.	Max.	Min.	Typ.	Max.
A	1.3	1.4	1.5	0.051	0.055	0.059
A1	0.01	0.06	0.10	0.001	0.002	0.004
B	1.6	1.7	1.8	0.063	0.067	0.071
B1	0.3	0.4	0.5	0.012	0.016	0.020
C	0.22	0.254	0.32	0.009	0.010	0.013
D	4.75	4.95	5.15	0.187	0.195	0.203
E	2.75	2.95	3.15	0.108	0.116	0.124
F		3.0			0.118	
F1		1.5			0.059	
G	0.2	0.3	0.4	0.008	0.012	0.016
H	0.58	0.78	0.98	0.023	0.031	0.039
J	4.3	4.5	4.7	0.169	0.177	0.185
K		0.88			0.035	



SOT-89-2L

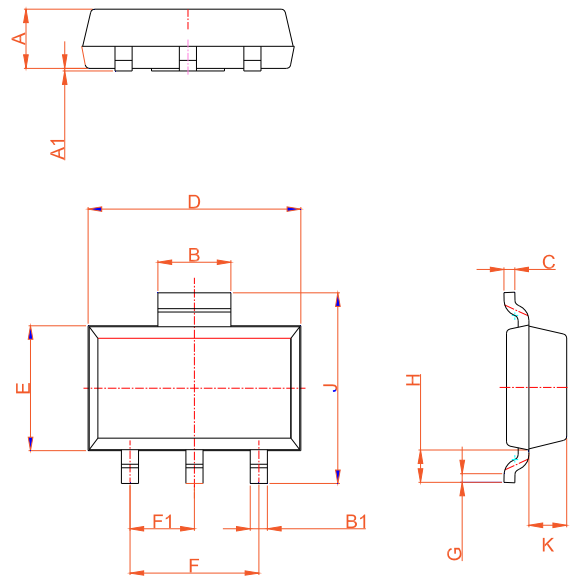
## PACKAGE MECHANICAL DATA



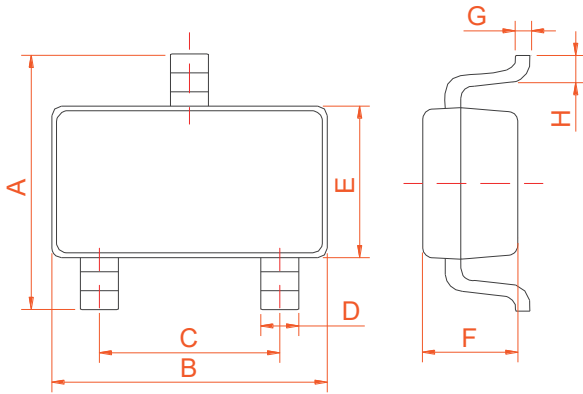
Ref.	Dimensions					
	Millimeters			Inches		
	Min.	Typ.	Max.	Min.	Typ.	Max.
A	1.5	1.6	1.8	0.059	0.063	0.071
A1	0	0.06	0.10	0	0.002	0.004
B	2.9	3.0	3.1	0.114	0.118	0.122
B1	0.6	0.7	0.8	0.024	0.028	0.031
C	0.22	0.26	0.32	0.009	0.010	0.013
D	6.3	6.5	6.7	0.248	0.256	0.264
E	3.3	3.5	3.7	0.130	0.138	0.146
F		4.6			0.181	
F1		2.3			0.091	
G	0.7	0.9	1.1	0.028	0.035	0.043
H	1.5	1.75	2.0	0.059	0.069	0.079
J	6.7	7.0	7.3	0.264	0.276	0.287
K	0.8	0.9	1.0	0.031	0.035	0.039

SOT-223

Ref.	Dimensions					
	Millimeters			Inches		
	Min.	Typ.	Max.	Min.	Typ.	Max.
A	1.3	1.4	1.5	0.051	0.055	0.059
A1	0.01	0.06	0.10	0.001	0.002	0.004
B	1.6	1.7	1.8	0.063	0.067	0.071
B1	0.3	0.4	0.5	0.012	0.016	0.020
C	0.22	0.254	0.32	0.009	0.010	0.013
D	4.75	4.95	5.15	0.187	0.195	0.203
E	2.75	2.95	3.15	0.108	0.116	0.124
F		3.0			0.118	
F1		1.5			0.059	
G	0.2	0.3	0.4	0.008	0.012	0.016
H	0.58	0.78	0.98	0.023	0.031	0.039
J	4.3	4.5	4.7	0.169	0.177	0.185
K		0.88			0.035	



SOT-89



SOT-23-3L

Ref.	Dimensions					
	Millimeters			Inches		
	Min.	Typ.	Max.	Min.	Typ.	Max.
A	2.65		2.95	0.104		0.116
B		2.92			0.115	
C		1.90			0.075	
D	0.34		0.36	0.013		0.014
E		1.60			0.063	
F		1.17			0.046	
G		0.15			0.006	
H	0.25		0.55	0.010		0.022